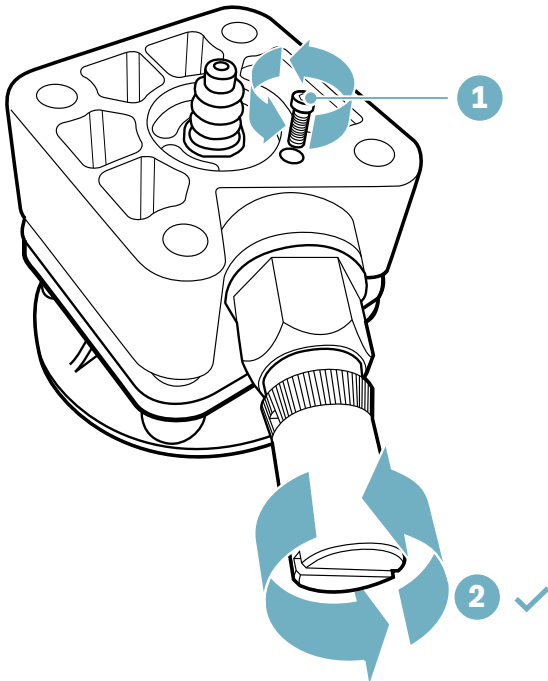
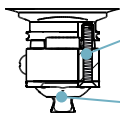
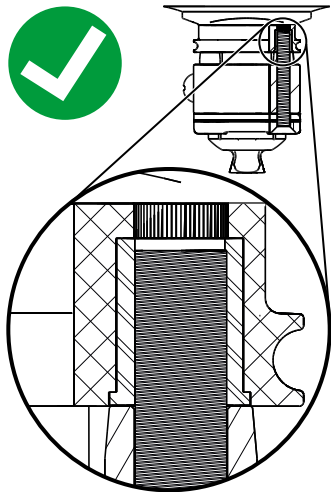
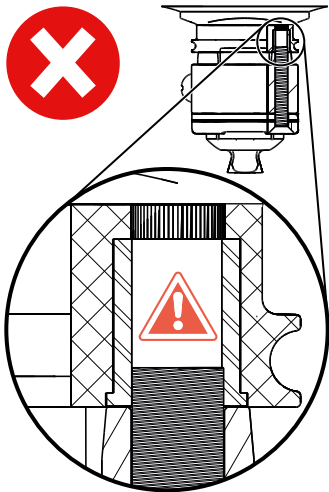


ottobock.





1

2

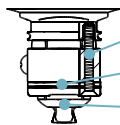
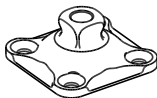
1

501S41=M6X45 (45 mm)



2

4R54



1

2

3

1

501S41=M6X50 (50 mm)



2

4R415



3

4R77

