







MyoBock Basic System Options – Transhumeral Fittings



Terminal Devices

<p>SensorHand Speed</p>  <ul style="list-style-type: none"> AutoGrasp senses slippage of objects being held 6 programs 22 lbs grip <p>8E38=8 L/R size</p>	<p>MyoHand Variplus Speed</p>  <ul style="list-style-type: none"> No AutoGrasp 22 lbs grip 6 programs <p>8E38=9 L/R size</p>	<p>VariPlus Greifer</p>  <ul style="list-style-type: none"> Work activities 35.97 lbs grip <p>8E33=9</p>
--	---	--



Wrists

<p>Quick Disconnect</p>  <ul style="list-style-type: none"> Passive pro/sup Allows exchange of terminal devices Use with: SensorHand Speed, MyoHand VariPlus, size 7 hand, Greifer <p>3 components</p> <ul style="list-style-type: none"> 10S1 10S4 9E169 	<p>Powered Rotation</p>  <ul style="list-style-type: none"> Powered pro/sup Use along with 13E205 myorotronic for myo control <p>3 components:</p> <ul style="list-style-type: none"> 10S1 10S17 13E205 	<p>MyoWrist Flex</p>  <ul style="list-style-type: none"> Allows passive flex/extension 5 lock positions <p>Add "F" to article # for:</p> <ul style="list-style-type: none"> SensorHand Speed MyoHandVariplus Speed Transcarpal Hand
--	--	--


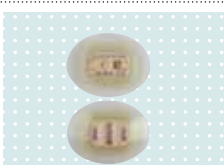
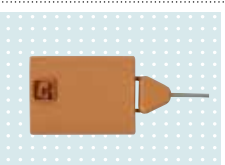
Elbow and forearms

<p>ErgoArm</p>  <ul style="list-style-type: none"> mechanical elbow lock (12K44) electronic elbow lock (12K50) prewired for myo terminal device <p>12K44 12K50</p>	<p>DynamicArm</p>  <ul style="list-style-type: none"> powered elbow flex/extension prewired for myo terminal device battery included 13E205 not needed for rotation, only 10S17 <p>12K100</p>
--	--

Batteries

<p>External*</p>  <p>Interchangeable Lithium Ion</p> <p>800mAh = 757B21 900 mAh= 757B20</p>	<p>Internal</p>  <p>Integrated Lithium Ion</p> <p>600mAh = 757B35=1 1150mAh = 757B35=3</p>
--	---

Electrodes

<p>Standard*</p>  <p>13E200=60</p>	<p>Suction*</p>  <ul style="list-style-type: none"> Same function as standard electrode allows sealing of the electrode <p>13E202=60</p>	<p>Linear Transducer*</p>  <p>9X50 or 9X52 (shown)</p>
---	--	--

*Additional and necessary parts such as wires, connectors, battery receptacles, etc. are not listed here, but will be discussed by Customer Service at the time orders are placed.