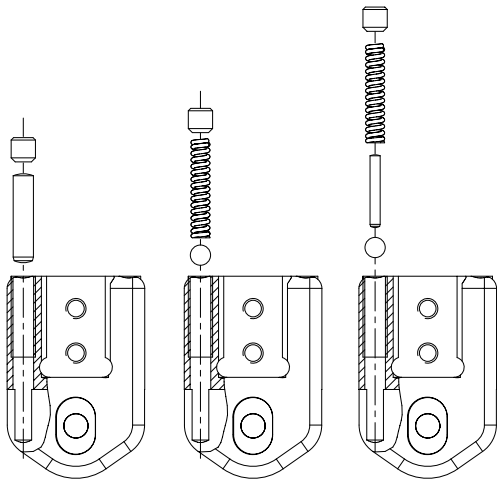


ottobock.



17B66=16/20

17B66=A-16/A-20